

TRIAC Dimmable Bulb-4*1W

LED MR16, GU10 bulbs are the culmination of FOBSUN's breakthrough combination of patented optical technology, LED packaging techniques, unique electronics and superior thermal management! FOBSUN's state-of-the-art technology allows these LED light bulbs to directly replace 20-40W halogen lamps. No false claims, just outstanding performance that yields 80% energy savings.

With ultra brighter Edison LEDs as light source, LED MR16, LED GU10 lamps give off reliable white light and are the best to be used for background or effect lighting, compatible with TRIAC dimmers; These LED light bulbs only consume a fraction of the power used by the standard lamps to give the same light output at 4*1W, so they are perfect for application in areas where you would like to leave lamps on for long periods but perhaps do not need bright lighting. They are compact, green and high efficient lighting fixtures. The patented thermal control technology, and special aluminum alloy housing substantially achieve good thermal property.

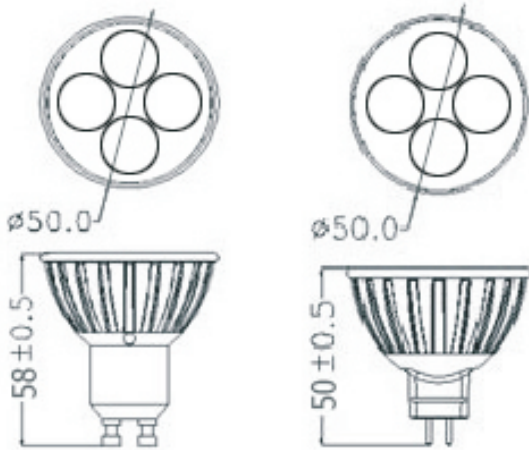


MR16/GU10 LED Bulbs. 4*1watt Edison high power LEDs that emit a clean white color and are bright. All high power LED Bulbs has an aluminum body, Ceramic Base.

If your **MR16/GU10** bulb has the same type base as pictured and has the same base, these are your replacement LED type bulbs. Power LED Model with 4 each 1 watt Daylight White or Warm White LEDs.



MR16/GU10 base in Daylight White or Warm White, and the bulb has a crystal glass lens and produces a clean white light with no shadows, rings, blotches or other coloration. The bulb can be used anywhere in the world where 12VDC/85-260V AC is the power source. Body is aluminum-zinc metal alloy. Indoor use.



- **Lighting source:** Edison high power LEDs
- **Measurement:** MR16: D50*H50mm, GU10: D50*H58mm
- **Light output:** 380 lumens @ 4W
- **CCT:** 2850-3250K(ww), 5650-6300K(cw) Typical
- **Input Voltage:** 12V DC/AC, 85-260V AC, 50/60 hz
- **Power Factor:** 0.78(4W)
- **Power Consumption:** 4W
- **Fittings:** MR16, GU10
- **TRIAC Dimmable:** work with most TRIAC dimmers
- **Heat sink:** Aluminum alloy housing
- **IP Rating (Working environment):** Indoor use, applicable for dry environment
- **Operating environmental temperature:** -10 to +40 degree Celsius(+14 to +104 degree Fahrenheit)
- **Storage temperature range:** -40 to +85 degree Celsius(-40 to +185 degree Fahrenheit)
- **Humidity (non-condensing):** 5% - 95% RH

| Model | Operating Voltage | Power | Color | Beam Angle | CRI | Material | Working Environment | Lumen Output |
|----------------|---------------------|---------|-------------------|-------------|------|------------------|--|--------------|
| FLB-MR16W-4W-L | 12v dc/ac | 4 Watts | Warm | 25°/45°/60° | > 82 | Aluminum Housing | Indoor use, applicable for dry environment | 320-380lm |
| FLL-GU10W-4W-H | 85-260v ac, 50/60Hz | | White, Cool White | | | | | |

Physical Specifications:

- Mercury-free, no other hazardous material
- Aluminum housing
- Base type: MR16, GU10
- Indoor use, applicable for dry environment
- Operating environmental temperature: -10 to +40 degree Celsius (+14 to +104 degree Fahrenheit)

Electrical Specifications:

- Input voltage: 12V DC/AC; 85-260V AC, 50-60Hz
- Power consumption: 60-70% energy saving over incandescent bulbs
- Integral high efficiency driver and power supply
- Power factor 0.78 for 4 watt lamp
- CE (LVD and EMC)

Optical Specifications:

- CCT: Warm white (2,850-3,250K); Cool white (5,650-6,300K) Typical
- CRI > 82
- Negligible UV, IR and RF
- Lower reflector achieves a comfortable appearance
- View Angle: 25/45/60 degree view angle or beam width
- Lumens: 320-380 delivered lumens depending on different models
- Brightness degradation: 3% within 1,000 hours
- Lumen maintenance: 98% at 1,000 hours
- Light source: Edison high power LEDs
- Color management system maintains color consistency over time and temperature

PRODUCT APPLICATIONS:

- Track Lighting
- Recessed Lighting
- Wall Lighting
- Desk Lighting
- Display Case and Cabinet Lighting
- Art Gallery and Museum Lighting

The LED Lamps and LED Bulbs are green lighting fixtures for illumination lighting and general lighting. They are well-suited for interior lighting in exhibition halls, homes and for other applications with a very long service life 35 times longer than halogen bulbs, high efficacy and a low operating temperature, which will gradually replace the conventional bulbs.



FOBSUN ELECTRONICS INC

Phone: 86-755-3366-2660(English Service)

Fax: 86-755-3366-2986

Website: www.fobsun.com

Email: sales@fobsun.com