

# INSTALLATION INSTRUCTIONS

## FDL Recessed Downlight

### ⏪ WARNING >>

#### ⚠ WARNING

##### Risk Of Electrical Shock

Disconnect power at fuse or circuit breaker before installing or servicing

#### ⚠ WARNING

##### Risk Of Fire

Do not install insulation within 3 inches (76mm) of any part of the luminaire fixture or in a way that may entrap heat.

#### ⚠ WARNING

##### Installation and servicing

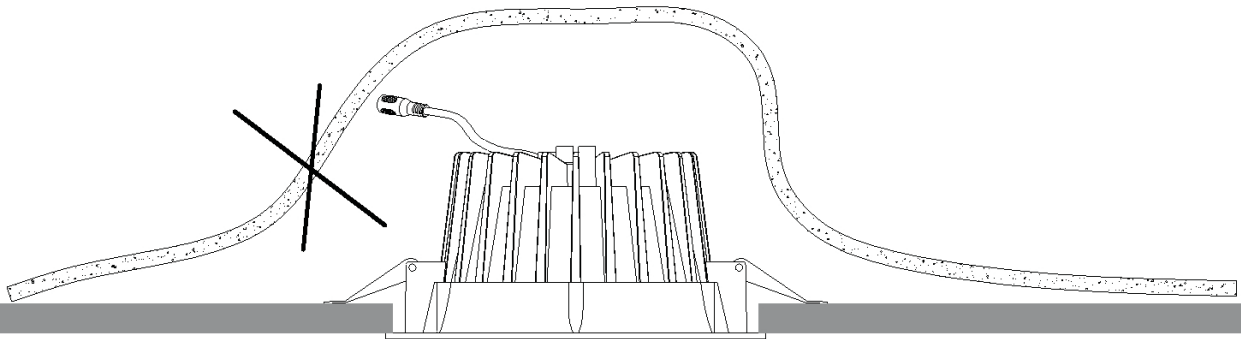
Installation and servicing to be performed only by qualified personnel. If not qualified, consult an electrician.

#### ⚠ WARNING

##### Circumstance

The luminaire shall, under no circumstance, be covered with thermal insulation matting or similar material, figure 1

Figure 1

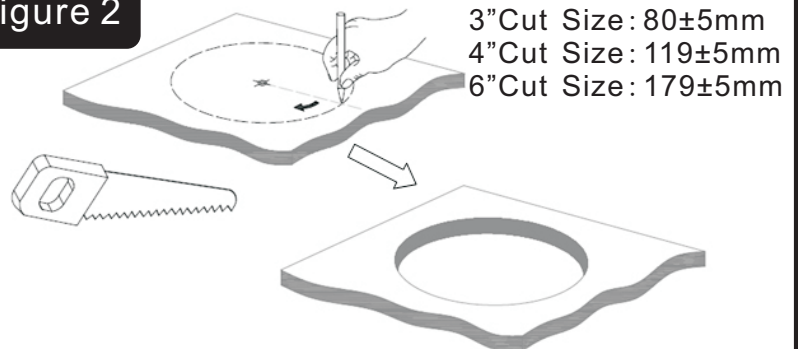


### ▶ To Install Section >>

#### ▶ STEP 1

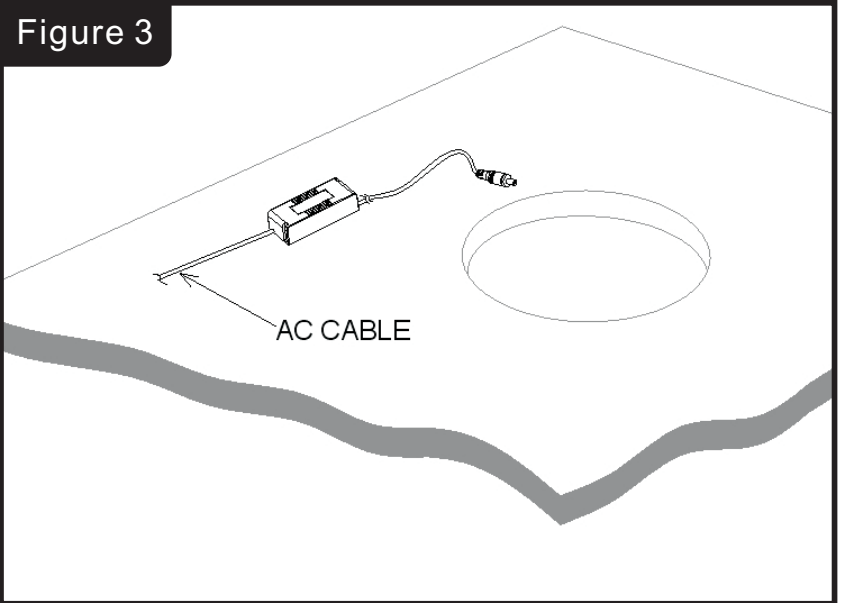
Draw a circle on the ceiling where the downlight is to be installed, then use a saw (or other mechanic tools) to cut off the part of the ceiling marked with the circle. (Size as shown in figure 2)

Figure 2



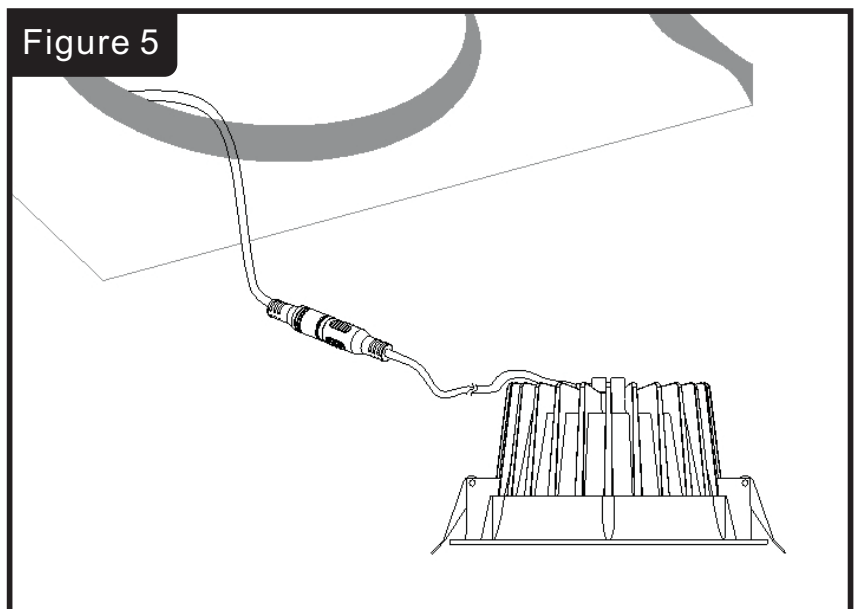
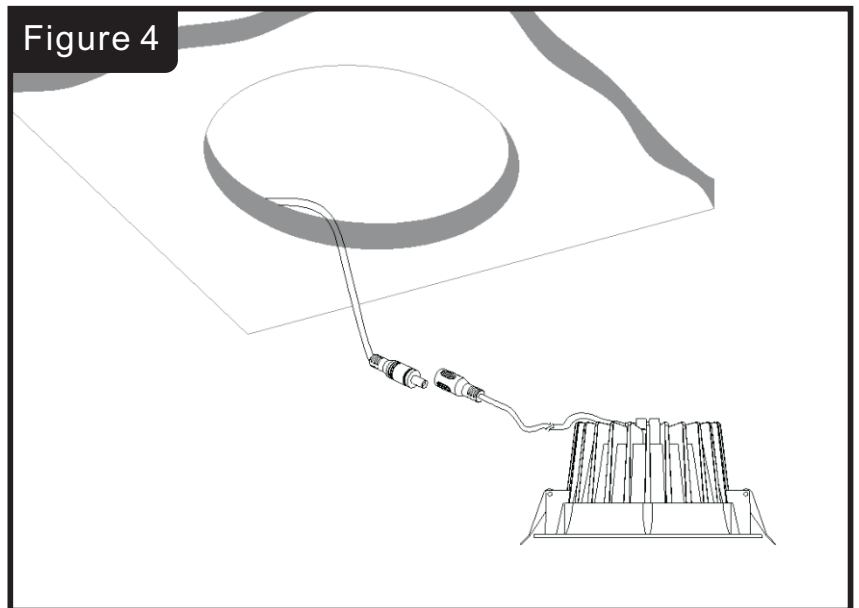
► **STEP 2**

Put the attached power supply inside the ceiling flat (the side with a label should face up), then connect the AC cable with the high tension cable. (As shown in Figure 3)



► **STEP 3**

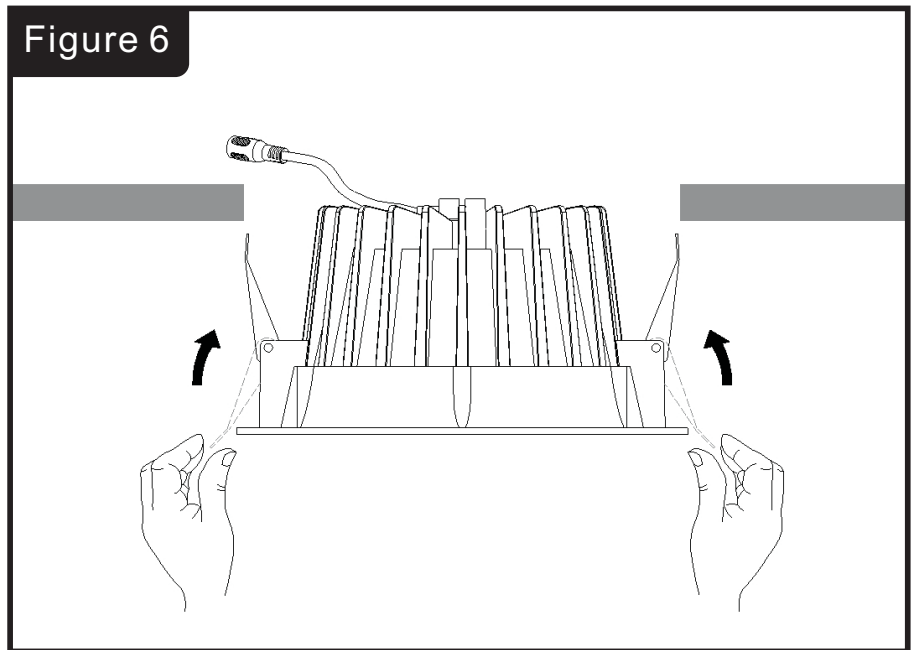
Get the DC output end of the power supply out of the ceiling through the opening, and connect the DC output plug with the downlight input plug. (As shown in Figure 4 and Figure 5)



► **STEP 4**

Press the torsion springs on both sides of the downlight upward by hands until the springs can be put into the opening on the ceiling. (As shown in Figure 6)

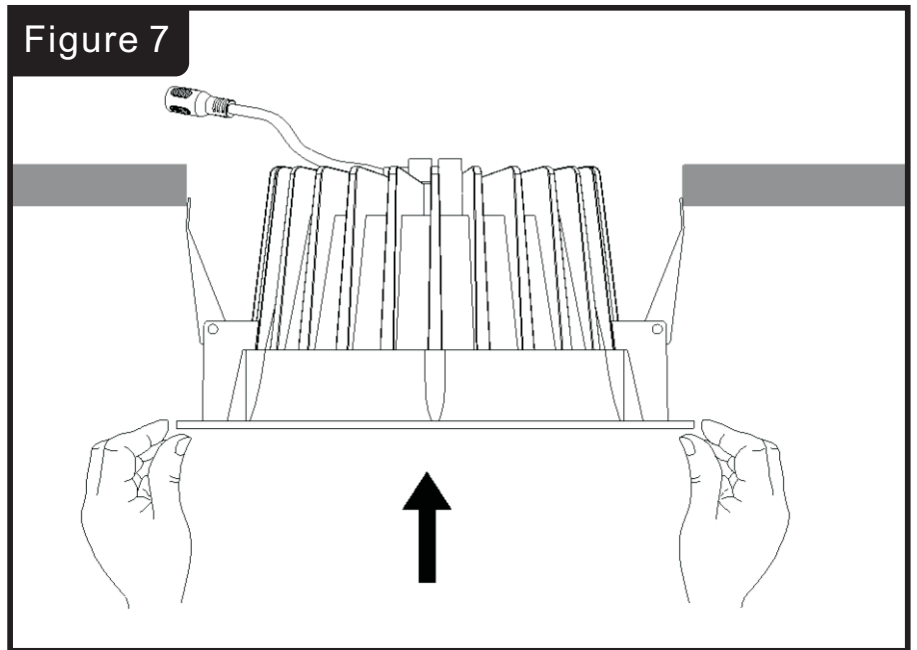
**Figure 6**



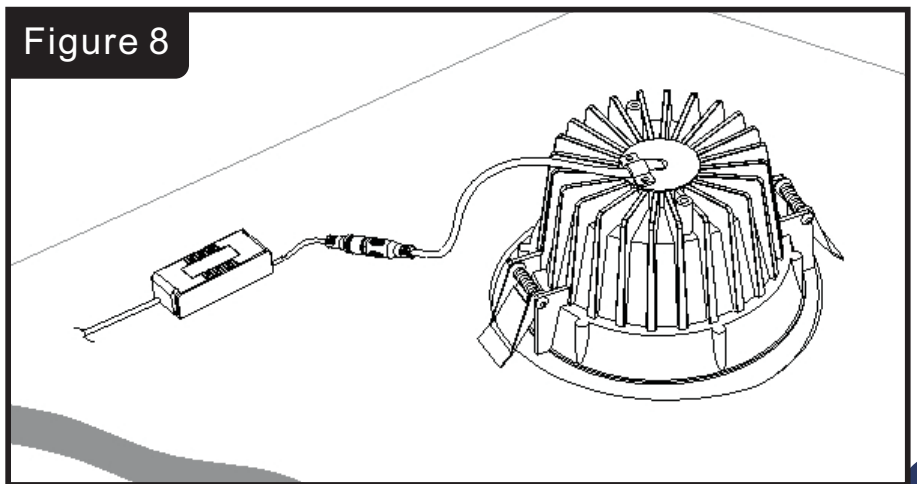
► **STEP 5**

Press the torsion springs into the opening on the ceiling, then put your hands on the shield and push the downlight upward as shown in Figure 7, and the downlight will be fully installed into the ceiling as shown in Figure 8, 9.

**Figure 7**



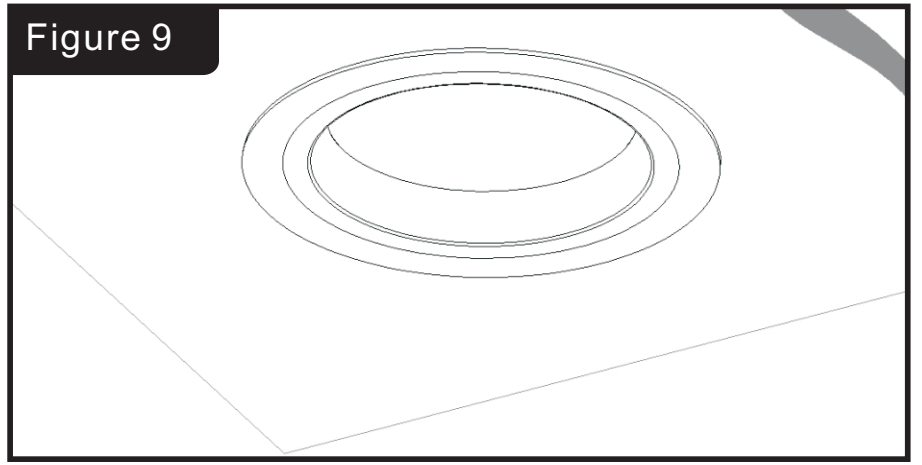
**Figure 8**



▶ **STEP 6**

Check the main switch and if there is not any problem, turn on the main switch and light up the downlight.

Figure 9



▶ **Contact** >>

Phone: 86-755-3366-2660(English Service)

Fax: 86-755-3366-2986

Website: [www.fobsun.com](http://www.fobsun.com)

Email: [sales@fobsun.com](mailto:sales@fobsun.com)